



General Microtechnology & Photonics
Systems for Industry, Research, Telecom & Medicine



- **Integrated motor and controller in a tiny package**
- **Excellent thrust, speed, and accuracy**
- **Daisy-chain and control multiple devices through a single serial port**

Zaber's T-NA series actuators are computer controlled linear actuators with $0.05 \mu\text{m}$ resolution, and either 25 mm or 50 mm travel. Each actuator comes with a hardened ball tip that you can remove if you prefer to use the built-in threaded tip or a flat tip.

Installation

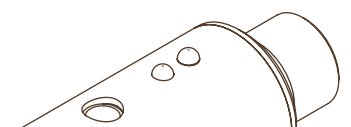
One or more actuators can be connected to the RS-232 port (or USB port with optional adaptor) of any computer. Multiple devices, including any T-Series products, can be daisy-chained to a single port. An industry standard $3/8"$ (9.5 mm) diameter micrometer shank allows the T-NA to fit many popular stages. The plunger of the T-NA actuator does not rotate.

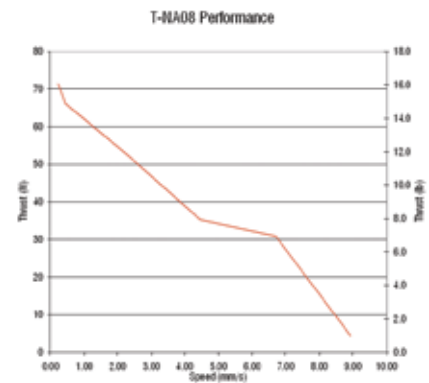
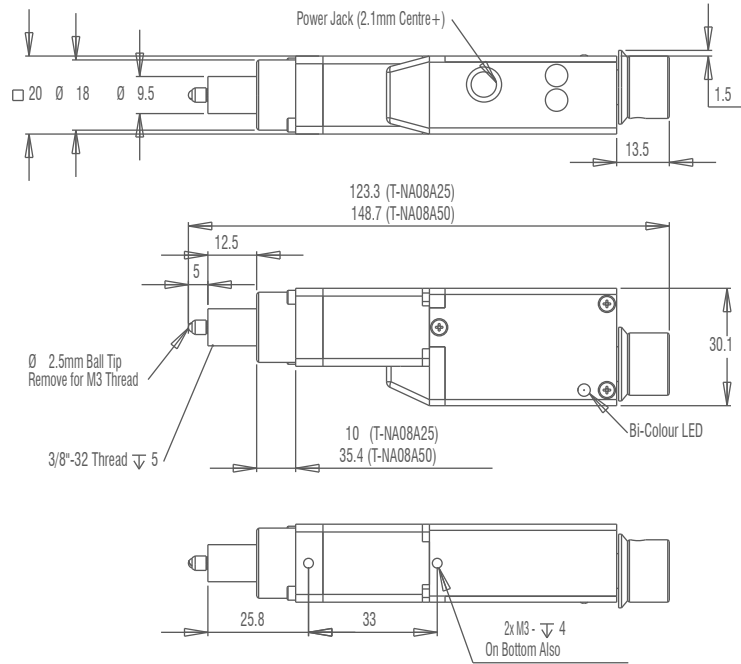
Computer Control

We provide software so you can easily control your Zaber devices. Simply select the device you want to move, select a command (like "move absolute"), and enter the desired position. After the move, the actuator reports its new position. Built-in scripting allows you to easily set up complex automation routines. We also provide all of our source code so that you can customize our software for your application.

Manual Control

An optional knob permits smooth manual control at variable speeds in both directions. During a manual move the actuator's position is constantly transmitted to the computer and is displayed by the software.





Miniature Linear Actuators: T-NA

Model	Travel Range (mm)	Microstep Size (Resolution) (μm)	Accuracy (μm)	Repeatability (μm)	Backlash (μm)	Minimum Speed ($\mu\text{m/s}$)	Maximum Speed (mm/s)	Weight (kg)
T-NA08A25	25.4	0.048	+/- 8	< 1	< 4	0.22	8	0.13
T-NA08A50	50.8	0.048	+/- 8	< 1	< 4	0.22	8	0.15

Even though there is a time difference between China and Canada, there is hardly any delay in getting technical and business support from Zaber's product managers. We appreciate Zaber's professional and customer-oriented working style.

– Sunny Gu, RayScience, Shanghai, China

www.gmp.ch

GMP SA Siège principale: Avenue des Baumettes 17 CH-1020 Renens +41 21 633 21 21 Fax. +41 21 633 21 29 info@gmp.ch
 GMP SA Büro Zürich: Dübendorfstrasse 11a CH-8117 Fällanden +41 44 825 34 00 Fax. +41 44 825 34 01 so@gmp.ch

www.zaber.com